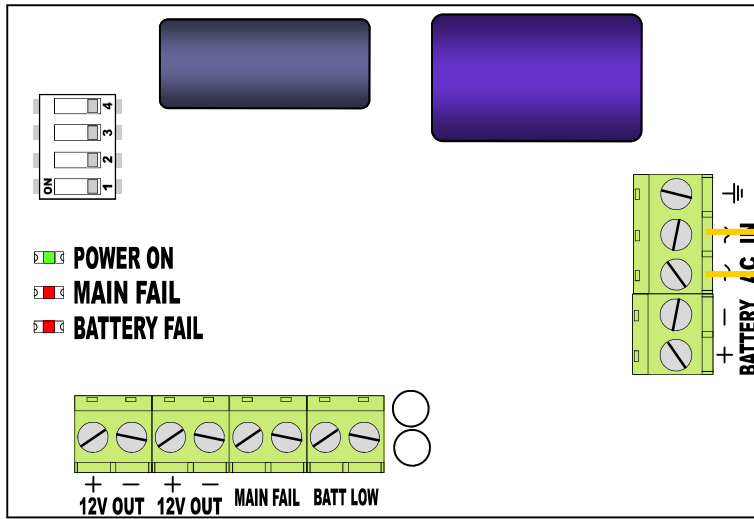
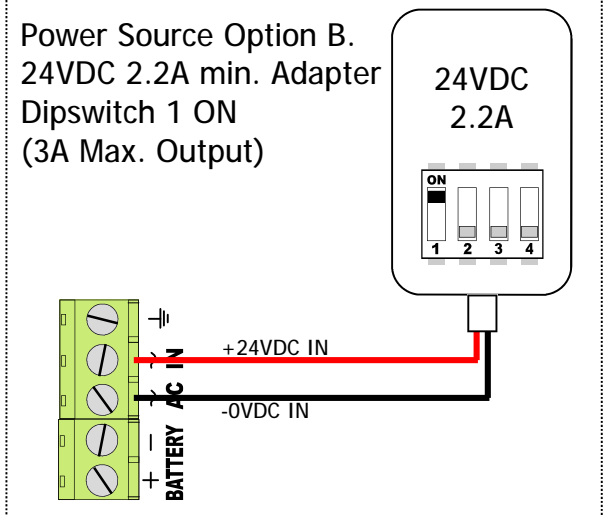
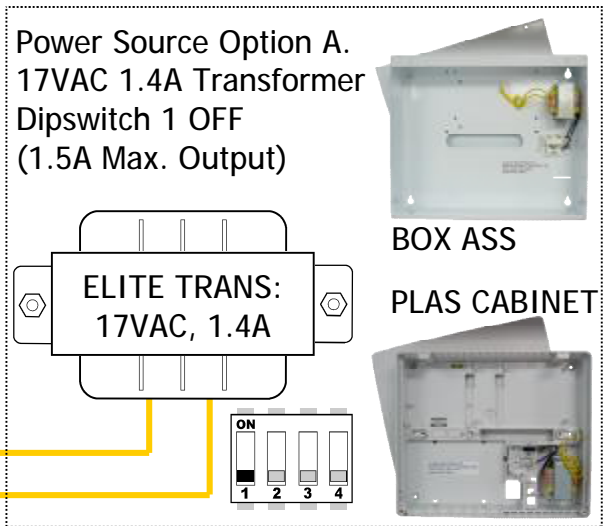


# PSU SM

Selectable Current Power Supply Unit  
with Battery Backup, Current Limit, Low Voltage Disconnect,  
Mains & Dynamic Battery Monitoring



Each Outlet is protected by a 1.5Amp PTC self resetting fuse.



Dipswitch	Option
1	Off 1.5 Amp Current Limit (calibrated for 16VAC 1.5A Adapter)
	On 3.0 Amp Current Limit (calibrated for 24VDC 2.2A Adapter)
2	Off 250mA Max. Battery charge Current (Recommended Battery 1.3Ah to 7.5Ah)
	On 500mA Max. Battery charge Current (Recommended Battery 7Ah to 18Ah)
3	Off Instant Mains Fail
	On 15 minute Delay on Main Fail
4	Off Mains & battery output are Fail Safe (NC)
	On Mains & battery output are Fail Secure (NO)

ARROWHEAD ALARM PRODUCTS Ltd.

1A Emirali Road,  
Silverdale 0932,  
Auckland, NZ  
Ph. 09 414 0085  
[www.aap.co.nz](http://www.aap.co.nz)  
v1.2



**Arrowhead**  
Alarm Products